

SUBMITTAL DRAWING

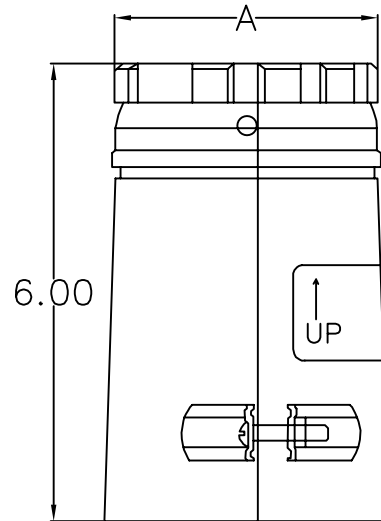
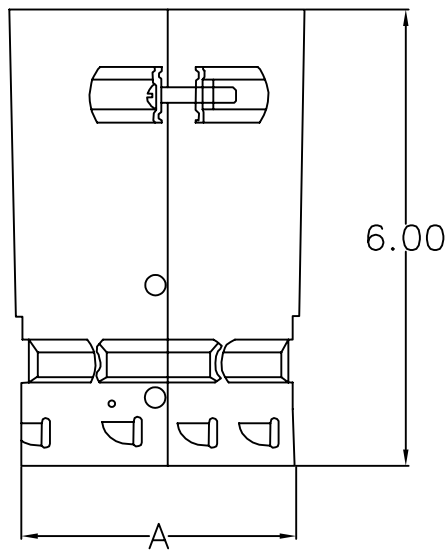
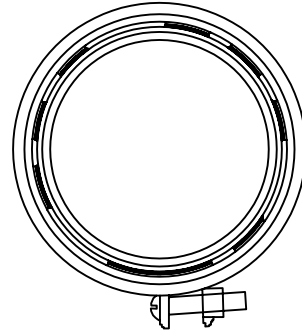
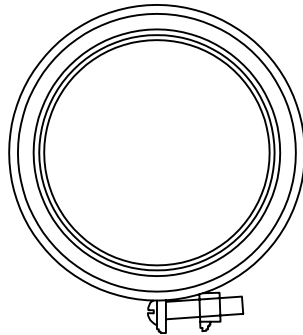
DATE: 12-2-03

SUBMITTED BY:

JOB NAME: _____
 LOCATION: _____
 ARCHITECT: _____
 ENGINEER: _____
 CONTRACTOR: _____

**Type B Gas Vent
 UNIVERSAL ADAPTERS
 3" - 6" DIAMETER**

DRAWING #: B1-14



EUA-F

EUA-M

CODE NO.	SIZE	WIDTH (A)
3EUA-M	3"	3-1/2"
3EUA-F	3"	3-1/2"
4EUA-M	4"	4-1/2"
4EUA-F	4"	4-1/2"
5EUA-M	5"	5-1/2"
5EUA-F	5"	5-1/2"
6EUA-M	6"	6-1/2"
6EUA-F	6"	6-1/2"



• **MATERIAL:**
 OUTER - MIN. 0.018 THICK, GALVANIZED STEEL
 INNER - MIN., 0.012 THICK, ALUMINUM ALLOY